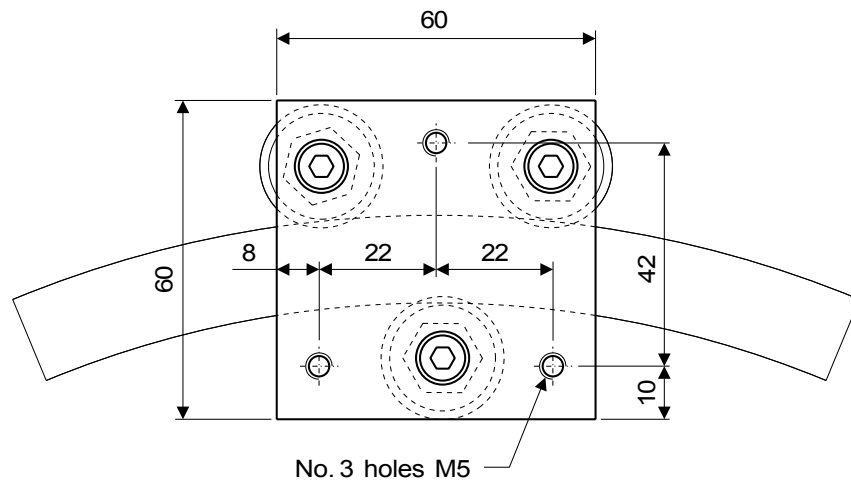
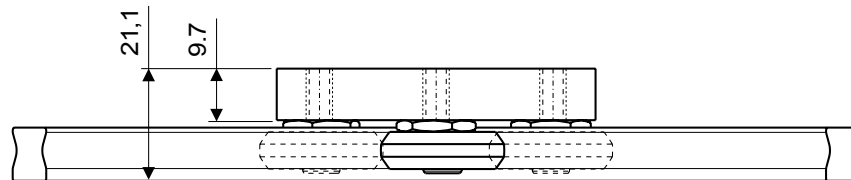


MOUNTED RAIL / SLIDER (Constant Radius Version)

TECHNICAL DATA:

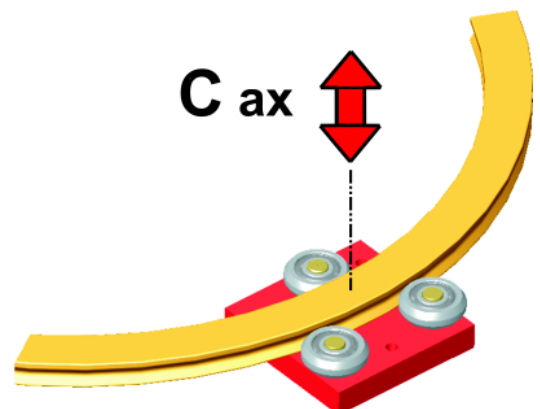


NOTE

- Radius on request (R min.= 180 mm)
- Rail and Slider with yellow zinc plating (ISO2081)

LOAD CAPACITIES:

$$C_{ax} = 300 \text{ N}$$



For more information and assistance, please contact our engineering department.